

Wood Fiber Tapered Edge Strip

Description

- Factory fabricated from wood fiber rigid roof insulation board.
- Cut on angles that slope from zero on one edge to ½" to 2" on the opposite edge.
- Designed for smooth transition from lower to higher elevations.
- Easy to fabricate for installation with most types of roof systems.
- Available in bundles 48" in length.

Uses

- To provide smooth transition from lower to higher elevations around roof edges, drains or wherever slope to 0" is required.
- Properly installed, wood fiber roof insulation is suitable for use under built-up, modified bitumen and some single ply roofing systems.
- Refer to the application specifications in the current Membrane Manufacturer's Application and Specifications Manual for proper installation procedures for wood fiber roof insulation.

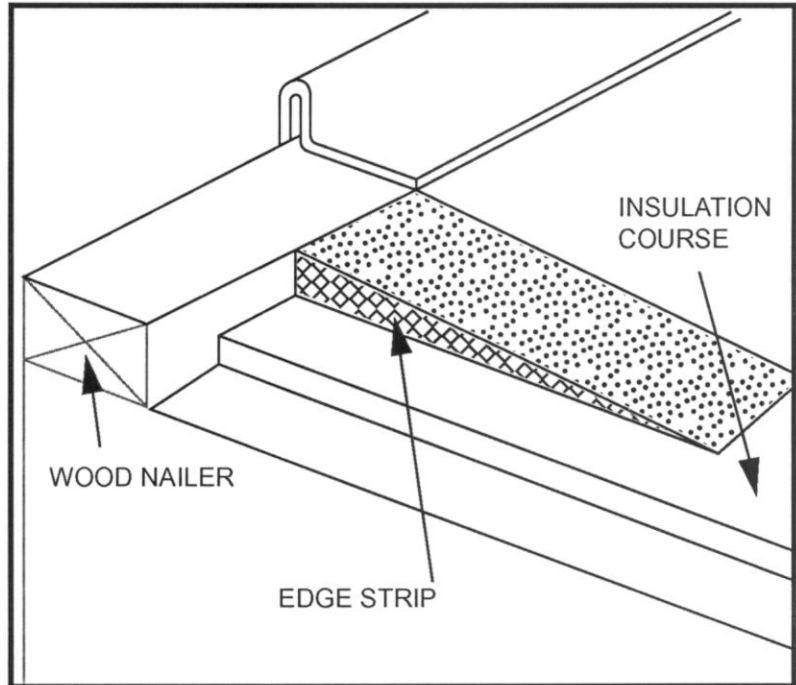
Specification Benefits

- UL Listed 790 Class A., ASTM C208, C209
- Strong and dimensionally stable.
- Available in standard heights and widths.
- Can be shipped in mixed loads with roof insulation and tapered systems.
- Edge strips made from wood fiber which incorporates up to 18% post-consumer recycled content percentage and up to 78% pre-consumer recycled content percentage.

Limitations

- Wood fiber roof insulation is a non-structural, non-load bearing material.
- Wood fiber roof insulation should not be left exposed to the weather.
- No more insulation should be applied than can be completely covered with finished roofing on the same day.
- It is NOT designed to be exposed to open flames. It may smolder if ignited. Extinguish completely if ignited.
- Substrates must be clean, dry, smooth, and free of sharp edges, tins, loose or foreign materials, oil, grease, or other materials which may damage the membrane.

Wood Fiber Tapered Edge Strip



Tapered Edge Strip Sizes and Packaging

	Per Bundle		Per Pallet	
	Pieces	Ln. Ft	Bdls	Ln. Ft.
½" x 6" x 48	72	288	20	5760
½" x 12" x 48	36	144	20	2880
1" x 6" x 48	56	224	14	3136
1" x 12" x 48	28	112	14	1568
1" x 18" x 48	18	72	12	864
1" x 24" x 48	18	72	10	720
1 ½" x 6" x 48	24	96	20	1920
1 ½" x 12" x 48	12	48	20	960
1 ½" x 18" x 48	12	48	10	480
1 ½" x 24" x 48	12	48	10	480
2" x 12" x 48	8	32	24	768
2" x 18" x 48	6	24	16	384
2" x 24" x 48	6	24	16	384