

## Description

- Factory fabricated from rigid wood fiber roof insulation board.
- Cut at angles that provide a true 45° angle between horizontal and vertical surfaces.
- All cant strips lengths are 48".
- Easy to fabricate for installation with most types of roof systems.
- Strips are available in 3", 4", 5" and 5 3/4" (76mm, 102mm, 127mm and 146mm) nominal sizes.

## Uses

- To provide a smooth transition from horizontal to vertical surfaces.
- Properly installed, wood fiber roof insulation is suitable for use under built-up, modified bitumen and some single ply roofing systems.
- Refer to the application specifications in the current Membrane Manufacturer's Application and Specifications Manual for proper installation procedures for wood fiber roof insulation.

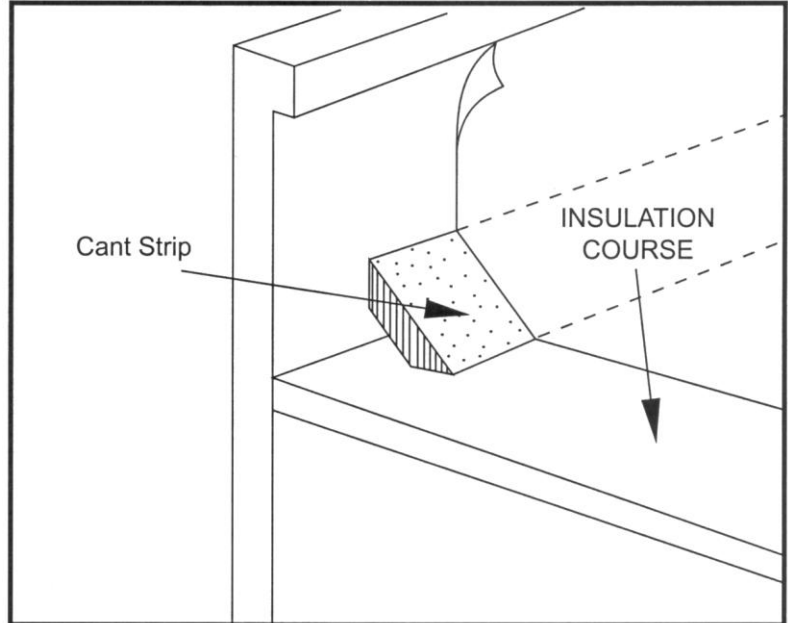
## Specification Benefits

- UL Listed 790 Class A., ASTM C208, C209.
- Strong and dimensionally stable.
- Available in 4 standard sizes.
- Can be shipped in mixed loads with roof insulation and tapered systems.
- Easily identifiable bundles.
- Cant Strips made from wood fiber which incorporates up to 18% post-consumer recycled content percentage and up to 78% pre-consumer recycled content percentage.

## Limitations

- Wood fiber roof insulation is a non-structural, non-load bearing material.
- Wood fiber roof insulation should not be left exposed to the weather.
- No more insulation should be applied than can be completely covered with finished roofing on the same day.
- It is NOT designed to be exposed to open flames. It may smolder if ignited. Extinguish completely if ignited.
- Substrates must be clean, dry, smooth, and free of sharp edges, tins, loose or foreign materials, oil, grease, or other materials which may damage the membrane.

## Wood Fiber Cant Strip



## Wood Fiber Cant Strip Sizes and Packaging

Nominal Size		Per Bundle		Per Pallet	
		Pcs.	Ln. Ft.	Bndls.	Ln. Ft.
1 x 4		28	112	22	2464
1 1/2 x 4		30	120	20	2400
1 1/2 x 5		18	72	20	1440
1 1/2 x 5 3/4		15	60	20	1200

All sizes shown are nominal and subject to nominal manufacturing tolerances.